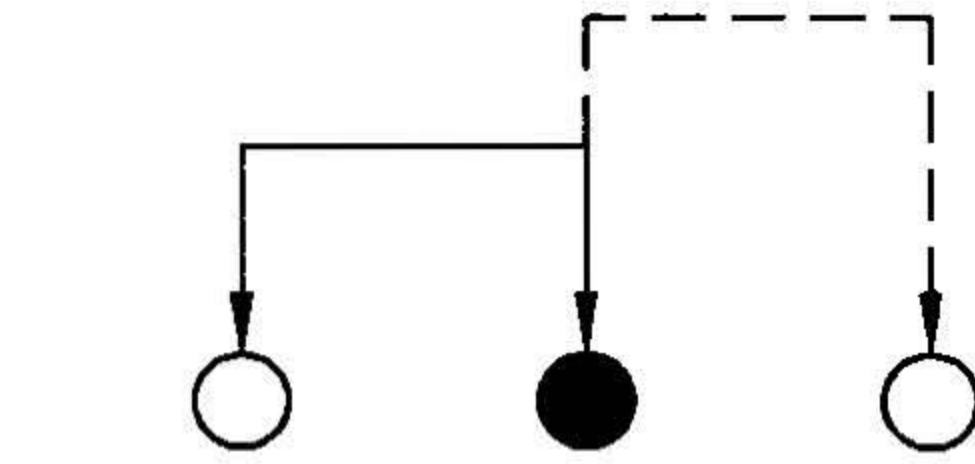
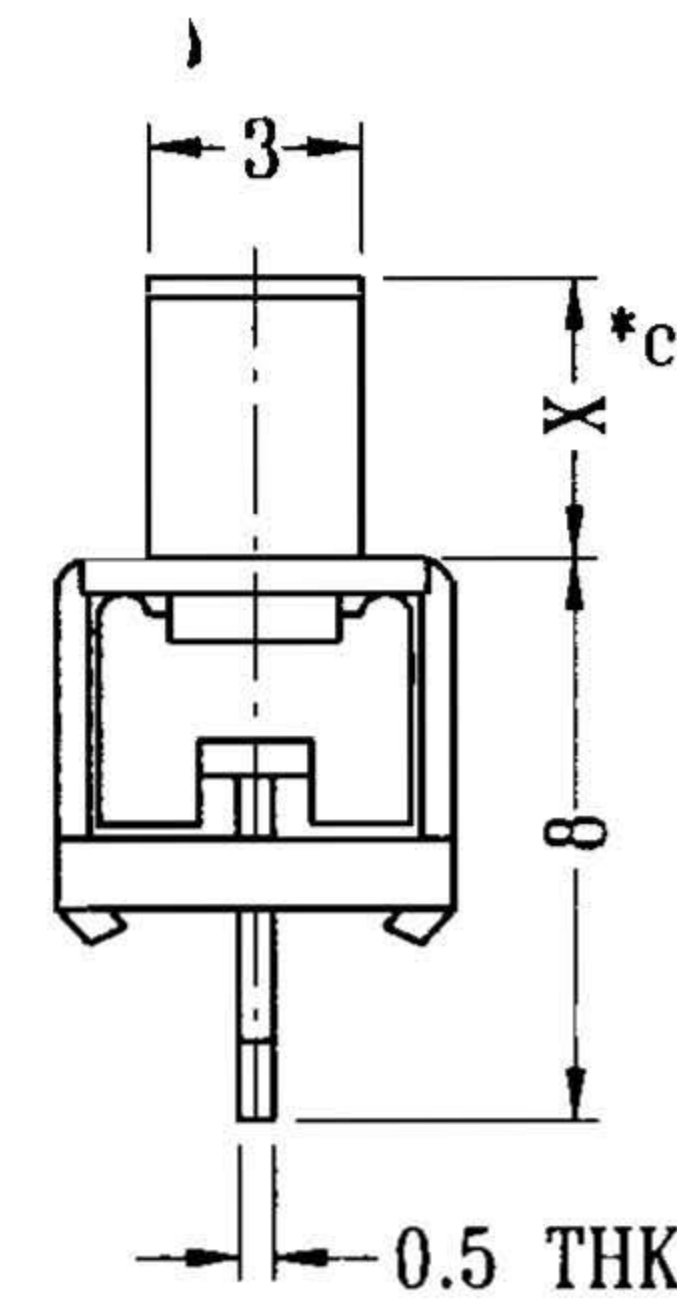
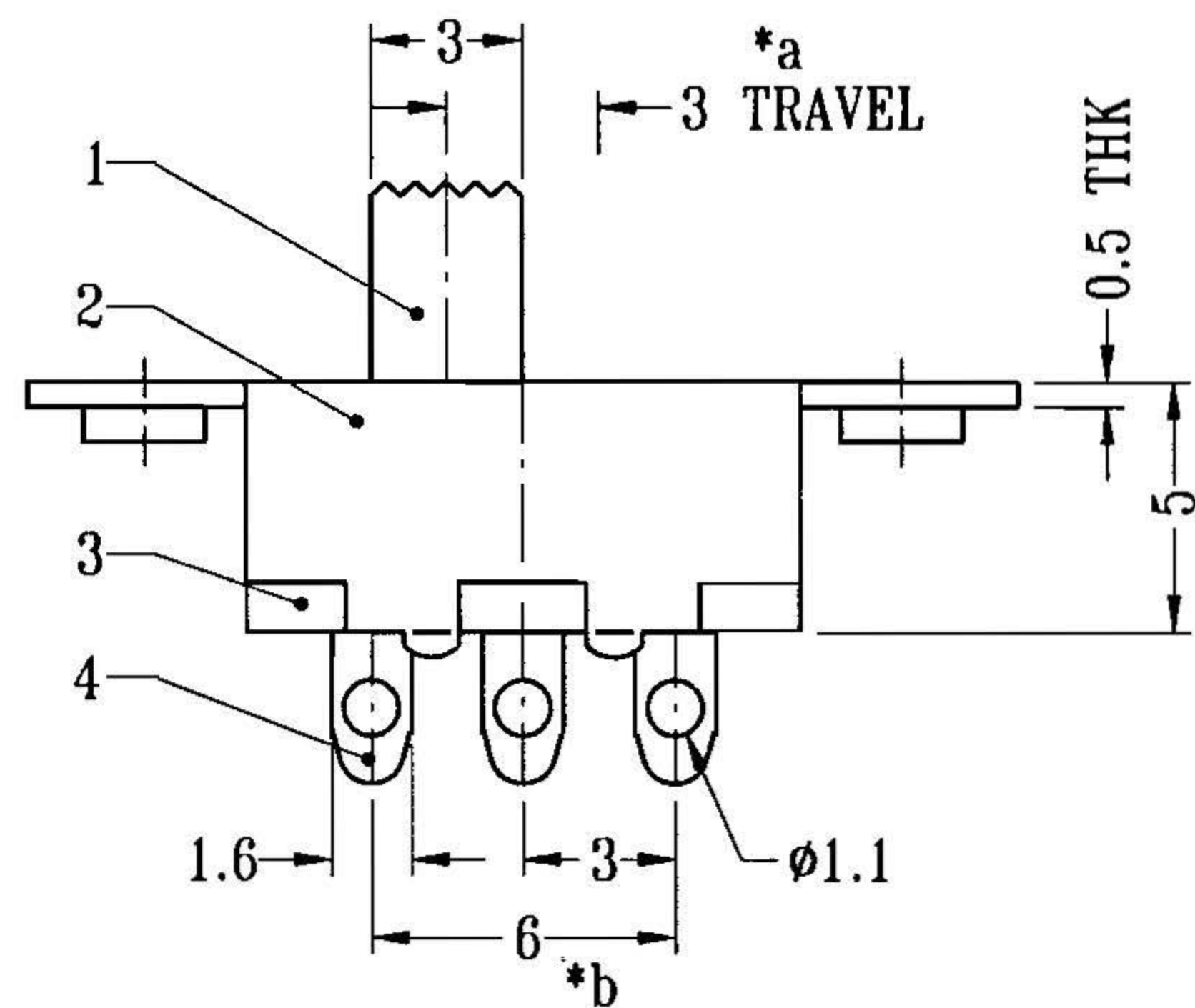
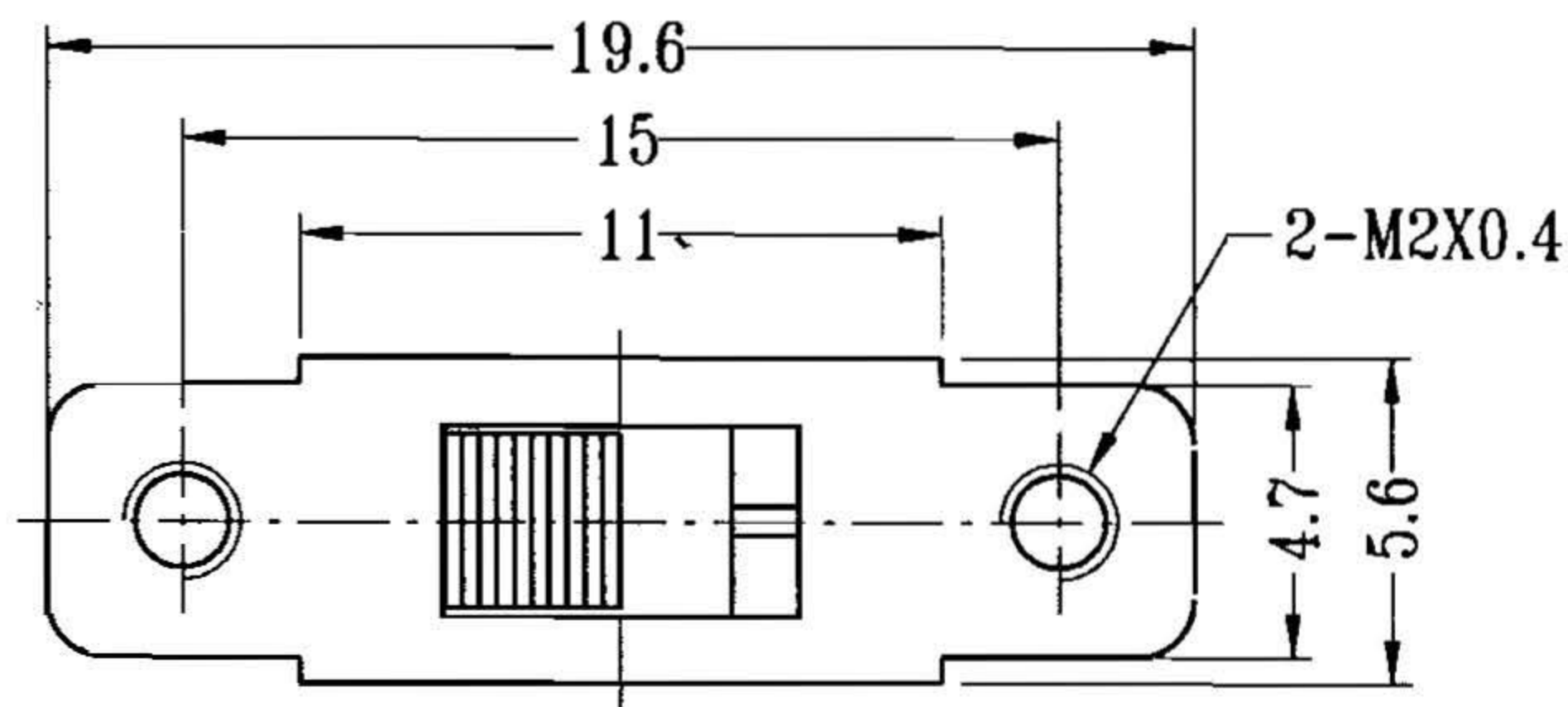
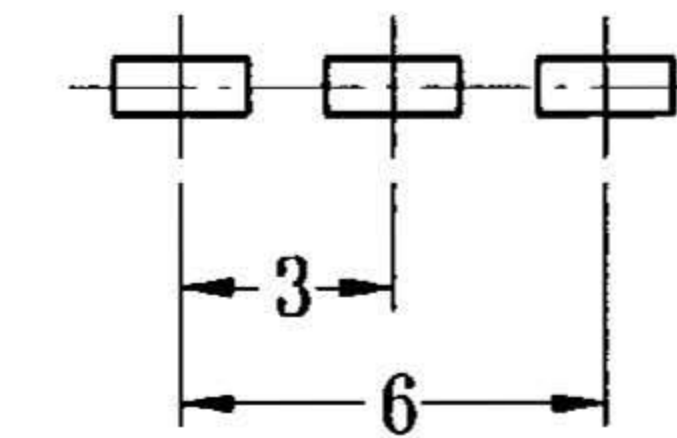


CAD FILE:



SCHEMATIC (NON-SHORTING)



P.C.B LAYOUT
BOTTOM VIEW

注: "*"表示关键尺寸(3个).

NO.	PARTS	MATERIALS	Q'TY	FINISH	TOLERANCE UNLESS SPECIFIED		TITLE : VERTICAL SLIDE SWITCH		UNIT : mm	DRWG NO.: TT-DR-SS12F16-00
8					WITHIN 1.5mm : ±0.1mm	A	07-Jul-2007	初版		曾小伟
7					OVER 1.5mm : ±0.2mm	ISSUE	DATE	DESCRIPTIONS OF REVISION		APPD.
6	CONTACT	BRASS STRIP	1	Ag PLATED	MODEL: SS-12F16		SCALE: 3:1	DWN.	曾小伟	07-Jul-2007
5	SPRING	STEEL WIRE	1	NATURAL	宇瑞電子股份有限公司			CHK'D	曾小伟	7-Jul-2007
4	TERMINAL	BRASS STRIP	3	Ag PLATED OVER Ni PLATED				APPD.	曾小伟	7-7-2007
3	BASE	PHENOLIC RESIN	1	NATURAL						
2	FRAME	STEEL STRIP	1	BLACK						
1	KNOB	POM	1	BLACK						