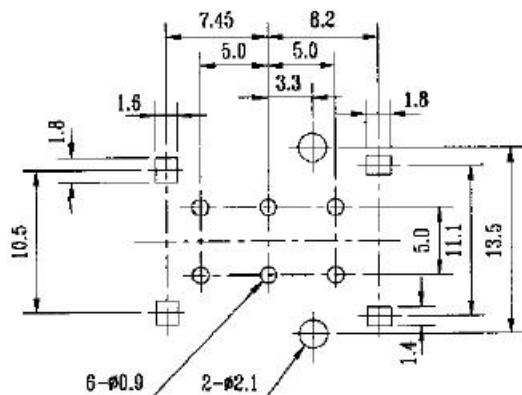
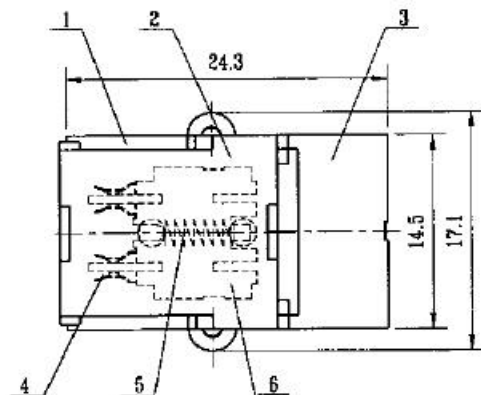
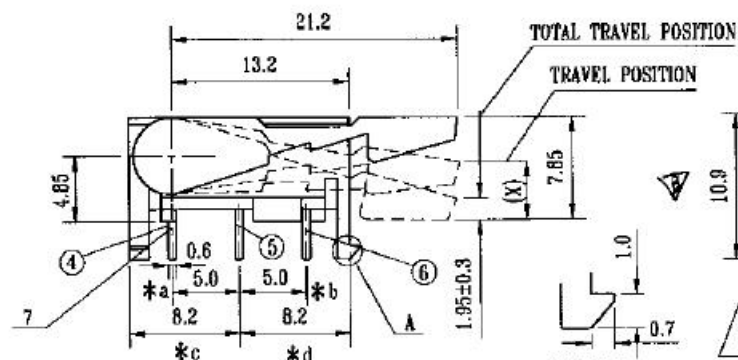
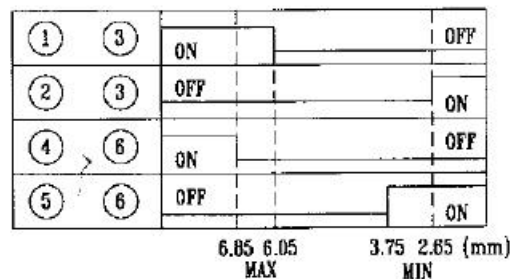




CAD FILE:

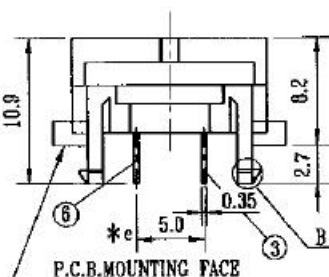


TIMING LAG DIAGRAM

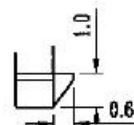


P.C.B DIMENSION

DEFINE A  
SCALE: 5:1

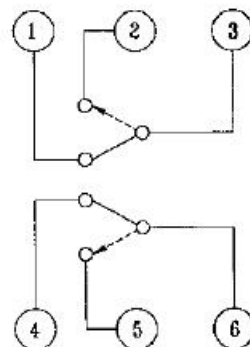


OPERATING FORCE: 50±20 gf



DEFINE B  
SCALE: 5:1

TRAVEL POSITION(X) (MM)



CIRCUIT DIAGRAM

注：“\*”表示英制尺寸(54).

NO.	PART NAME	MATERIAL	QTY	FINISHING	TOLERANCE		ISSUE	DATE	DESCRIPTIONS	APPD
					UNLESS SPECIFIED	SCALE				
8							B	26/7/2001	田佳原身释注	周三铃
7	HS22L01 TERMINAL	NYLON/0.33mm BRASS STRIP	2	BLACK/Ag PLATED	WITHIN 1.5: ±0.1	2:1	A	7/7/2001	首次发出	周三铃
6	HS22L01 SLIDER	NYLON 66 + FIBER 33%	1	BLACK	OVER 1.5: ±0.2					
5	HS22L01 SPRING	Ø0.28mm SUS	1	TEMPER						
4	HS22L01 CONTACT CLIP	0.11mm PBS C5210R-EH	2	Ag CLAD						
3	HS22L01 KNOB	POM	1	WHITE						
2	HS22L01 COVER	POM	1	BLUE						
1	HS22L01 CASE	NYLON 66 + FIBER 33%	1	BLACK						
					TITLE: HOOK SWITCH			UNIT: MM	DRWG NO.: SF-DR-HS22L01-00	
					MODEL: HS-22L01			SCALE: 2:1	DWN 李强 26/7/2001	
					宇瑞电子股份有限公司				CHK'D 周三铃 26/7/2001	
									APPD 周三铃 26/7/2001	