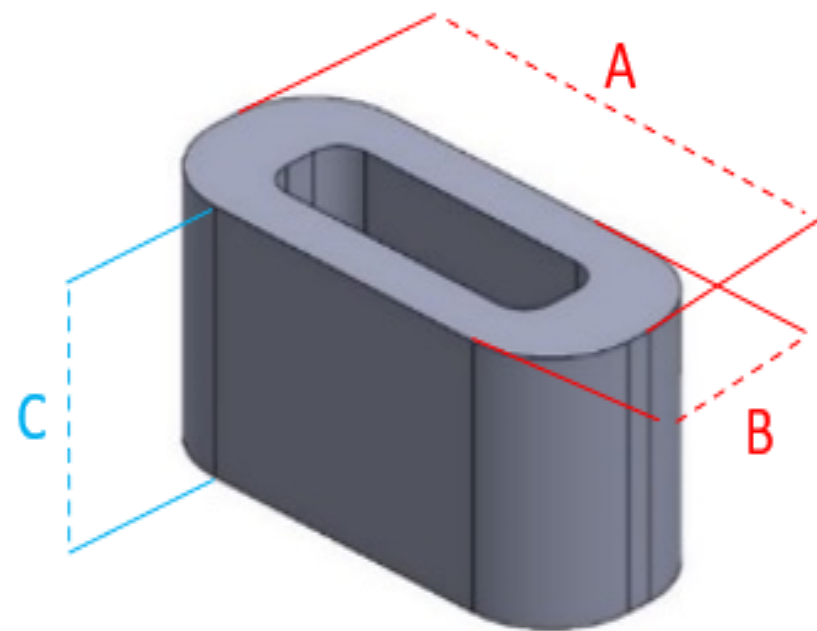


8. Track Core



H 16 07 10 C TR

- Core shape: Track type core
- Perm(μ): B:26, J:40, X:50, C:60, D:75, E:90
- [C] Size: Height of cores [mm]
- [B] Size: Horizontal axis of cores [mm]
- [A] Size: Vertical axis of cores [mm]
- Material: S:sendust, H:high flux, W:power flux, U:ultra flux

P/N	Dimensions(mm)					Path Length (cm)	Cross section Area (cm ²)
	A	B	C	D	E		
1607 TR	16.00	6.90	10.00	3.05	10.20	3.360	0.214
1609 TR	16.00	9.00	10.00	3.20	10.20	3.591	0.290
2310 TR	23.20	9.70	9.70	2.85	16.35	4.867	0.330

Power Flux material is only available up to 75 μ .