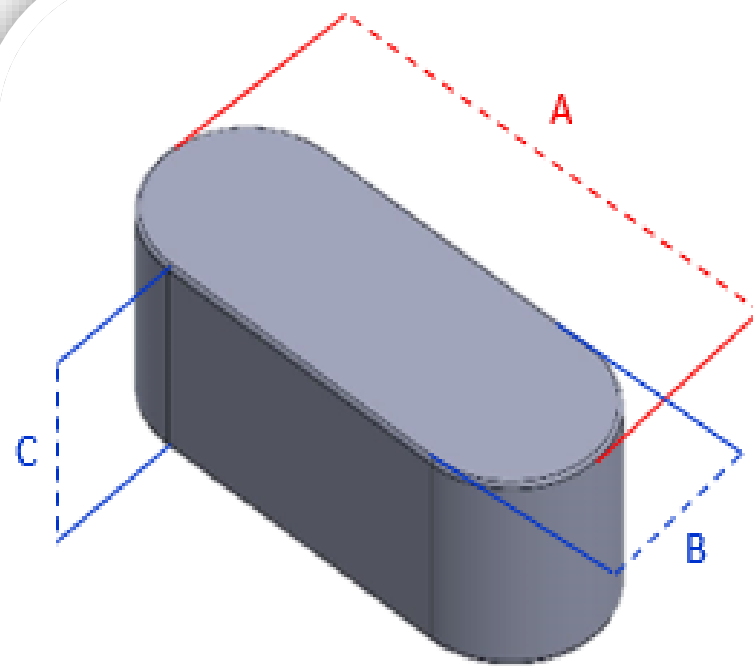


7. Round Blok



W 65 24 24 C RB

- Core shape: Round Block type core
- Perm(μ): B:26, J:40, X:50, C:60, D:75, E:90
- [C] Size: Height of cores [mm]
- [B] Size: Horizontal axis of cores [mm]
- [A] Size: Vertical axis of cores [mm]
- Materials: S:sendust, H:high flux, W:power flux, U:ultra flux

P/N	Dimensions(mm)			Product
	A Length (mm)	B Width (mm)	C Height (mm)	
1209 RB	12	9.2	19.6	
1410 RB	14.1	10.1	18.2	
3515 RB	35	15	16	
5130 RB	51.3	30.2	8.5	
6025 RB	60	25	15	
6424 RB	64.4	24	18.8	
7427 RB	74.2	27.2	20.7	
8030 RB	80	30	23.5	

Power Flux material is only available up to 75 μ .