

# REFERENCE DRAWING

CUSTOMER

EVER RIGHT TRADING CO., LTD.

CUSTOMER PART NO.

CUSTOMER DRAWING NO.

APPLICATION

FAN MOTOR

NMB PART NUMBER

L-520CWX9ZZSD309MTMN P5P13LY121

CLASS

JIS - 5

RADIAL PLAY

2.5 $\mu$ m to 7.5 $\mu$ m

LUBRICANT NAME

LY121

BASIC DYNAMIC RADIAL LOAD RATING

Cr = 186 N  
(REFERENCE TO JIS B 1518)

BASIC STATIC RADIAL LOAD RATING

Cor = 58 N  
(REFERENCE TO JIS B 1519)

SNAP RING

STAINLESS STEEL

2

SHIELD

SECC

2

RETAINER

6/6NYLON + GF

1

BALL

SUJ 2 or EQUIVALENT

7

$\phi$ 0.7938

INNER RING

SUJ 2 or EQUIVALENT

1

OUTER RING

SUJ 2 or EQUIVALENT

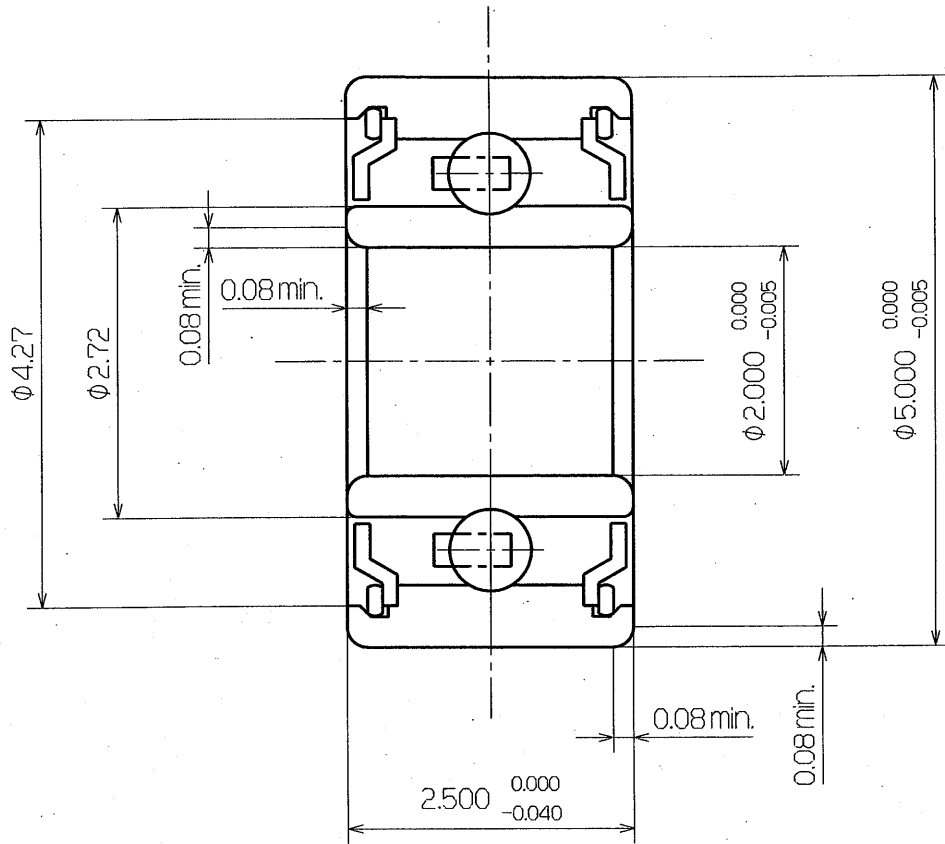
1

PART

MATERIAL

QTY

NOTE



**ISSUED**  
20. DEC. 2024  
**MinebeaMitsumi**  
Bearing ENG.

NMB DRAWING NUMBER	REVISION
C-W0015	

UNIT : mm

REV.	DESCRIPTION	DATE



ORIGINAL DRAWN DATE (dd/mm/yyyy)

16/12/2024

SCALE

FREE

APPROVED

*Matsumoto*

CHECKED

*Hirano*

DRAWN

WATANABE